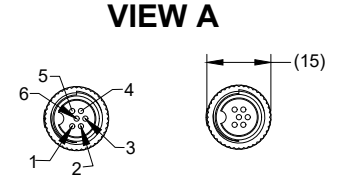
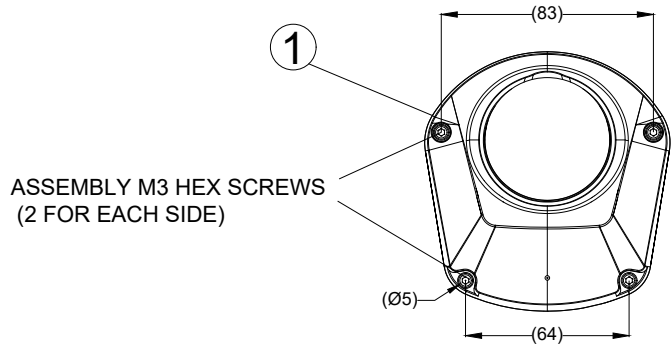
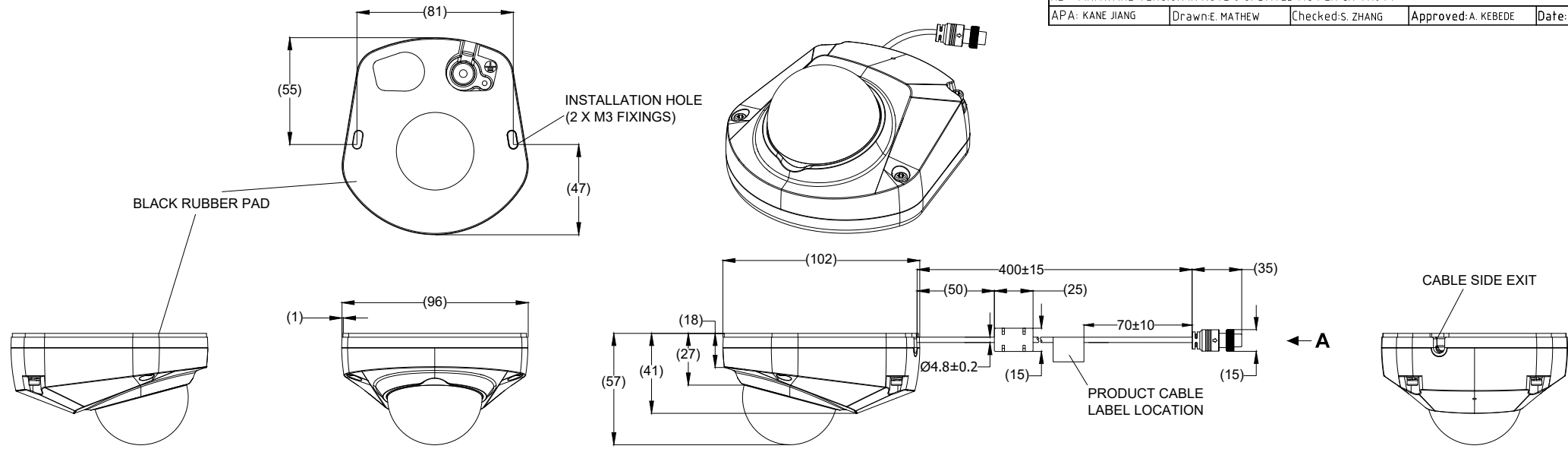


| Revision Notes | | | | |
|---|-------------------|------------------|--------------------|------------------|
| R1 - FIRMWARE VERSION UPDATED AS PER CONCERNS ON RELEASE PACK FOR P1520B. | | | | |
| APA: P.BU | Drawn:S. GOVENDER | Checked:D. FOALE | Approved:A. KEBEDE | Date: 22/06/2023 |
| R2 - FIRMWARE VERSION IN NOTE 6 UPDATED AS PER CR-A1044 | | | | |
| APA: KANE JIANG | Drawn:E. MATHEW | Checked:S. ZHANG | Approved:A. KEBEDE | Date: 08/07/2024 |



6 PIN FEMALE MATING FACE

| PIN # | WIRE COLOUR | DESCRIPTION |
|-------|--------------|-------------|
| 1 | ORANGE | TX- |
| 2 | ORANGE-WHITE | TX+ |
| 3 | RED | +12V |
| 4 | GREEN | RX- |
| 5 | GREEN-WHITE | RX+ |
| 6 | BLACK | GND |

| ITEM | PART NUMBER | MODEL NO | QTY | DESCRIPTION |
|------|-------------|--------------|-----|--|
| ① | 5962A | IP-1200C-C | 1 | IP CAMERA ONLY - SURFACE MOUNT, IP65 (1080P) |
| ② | 5972 | IP-1200C-FIX | 1 | 2 X M3 FIXING SCREWS AND 1 X T10 TORX TOOL (L SHAPE) (NOT SHOWN) |
| ③ | 7476 | IP-1200C-QSC | 1 | QUICK-START CARD (NOT SHOWN) |

- NOTES:**
1. MATERIAL: CAST ALUMINIUM. HOUSING FINISH IS WHITE.
 2. REFER TO "PRODUCT SPECIFICATION" FOR MORE DETAILS.
 3. REFER TO COMPONENT DRAWINGS FOR COMPONENT DETAILS.
 4. REFER TO QUICK-START CARD AND IP CAMERA OPERATIONAL GUIDE FOR CORRECT SETUP, CONFIGURATION AND INSTALLATION.
 5. PURCHASE ORDER TO DEFINE PACKAGING VARIANT.
 6. FIRMWARE VERSION "ST_946C25_E0010_V3.5.6_R23102403." TO BE PRELOADED TO THE CAMERA DURING MANUFACTURE.
 7. FOR LABELING AND PACKAGING DETAILS REFER TO MASTER BOM.

PROPRIETARY NOTICE
 THIS DESIGN AND TECHNICAL INFORMATION APPEARING ON THIS DRAWING IS THE PROPERTY OF BRIGADE ELECTRONICS, AND IS DISCLOSED IN CONFIDENCE. IT IS NOT TO BE COPIED, REPRODUCED, REVEALED TO OR EXPROPRIATED BY OTHERS, EITHER IN WHOLE OR IN PART WITHOUT THE EXPRESS WRITTEN CONSENT OF BRIGADE ELECTRONICS.



| | | | |
|-------------------------------|--------------------------|---------------------------|------------------------|
| Assembly Pl Approval P. BU | Approved by A. KEBEDE | Checked by S. GOVENDER | Drawn by T. UNTHANK |
| Angle of Projection | Units mm | Scale N/A | Released 24/05/23 |
| Status RELEASED | IP-1200C | | |
| Part No 5937A | BE-004791-02-23 | | |